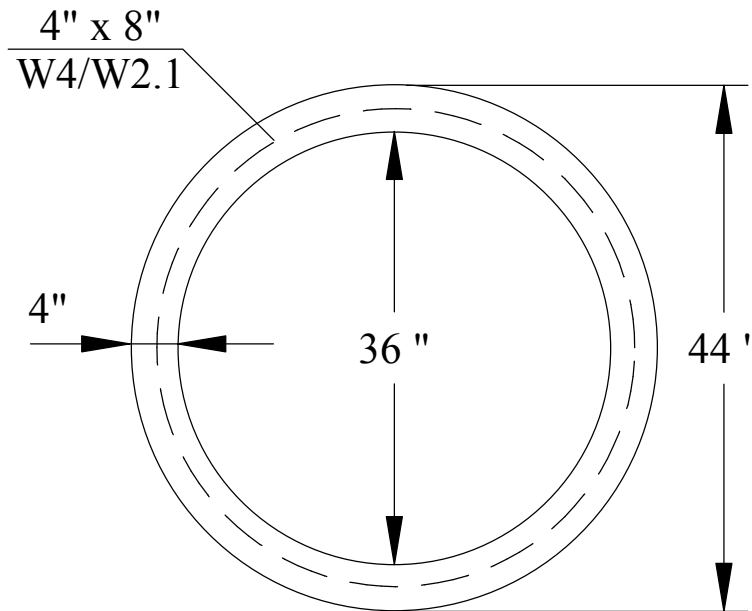
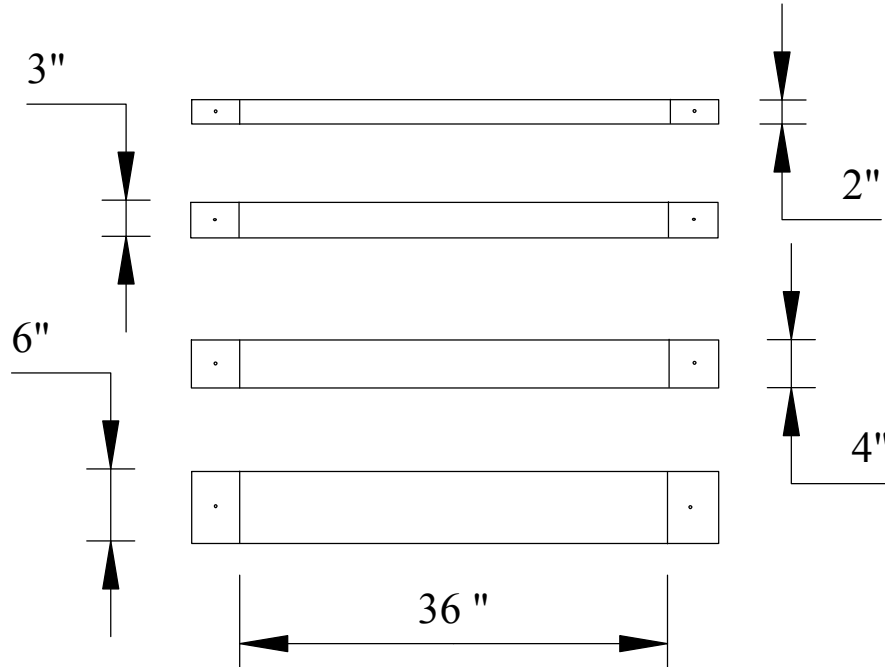


# D&S Concrete Inc.

2140 E. 84th Ct. Anch, AK. 99507

Phone (907) 349-6031 Fax (907) 349-4597



## 36" Grade Ring

All Structure Design Criteria Conforms to or Exceeds A.S.T.M. Designation C-478-07.