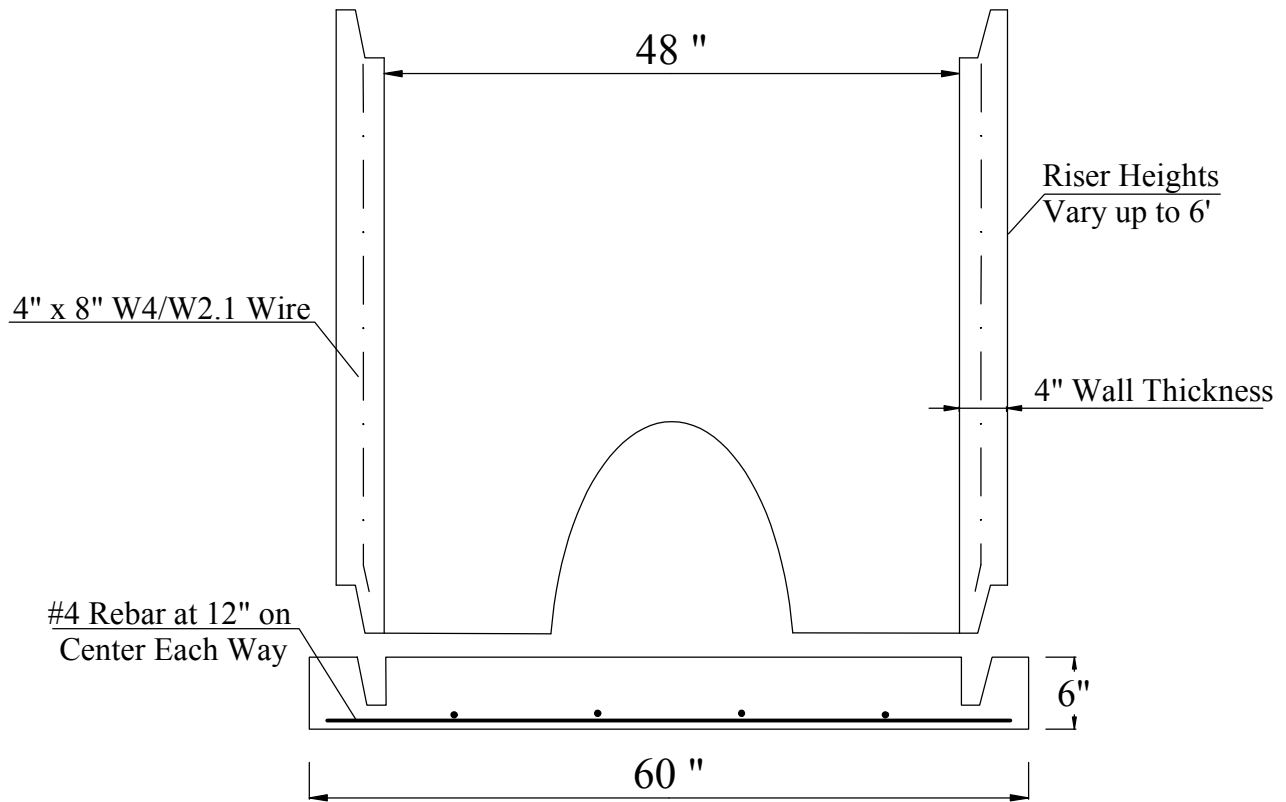


D&S Concrete Inc.

2140 E. 84th Ct. Anch, AK. 99507
Phone (907) 349-6031 (907) 349-4597



Horseshoe Riser for Sewer Manhole

All Structure Design Criteria Conforms to or Exceeds A.S.T.M. Designation C-478-07.