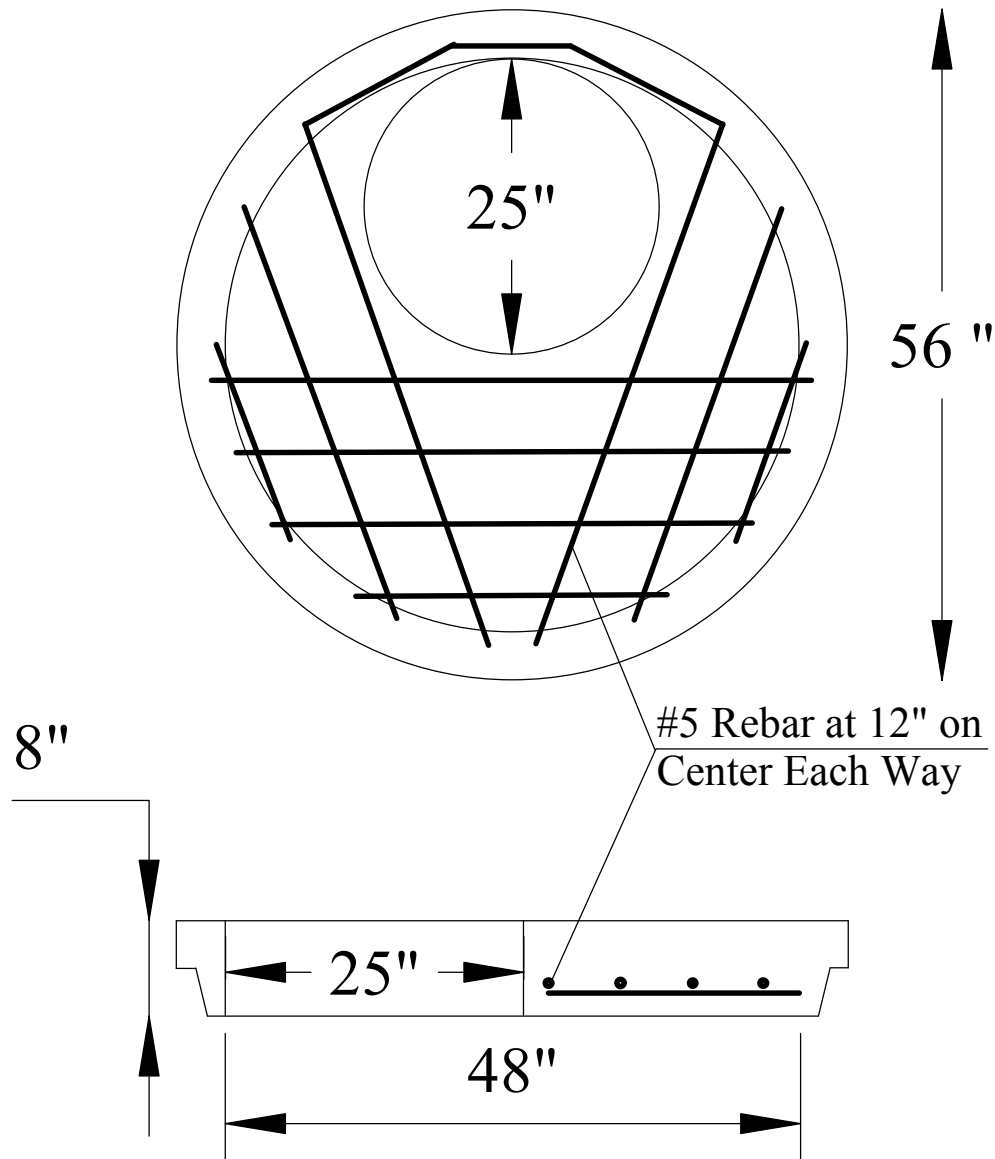


# D&S Concrete Inc.

2140 E. 84th Ct. Anch. Ak. 99507  
Phone (907) 349-6031 Fax (900) 349-4597



## 48" to 25" Flat Lid

All Structure Design Conforms to or Exceeds A.S.T.M Designation C-478-07.