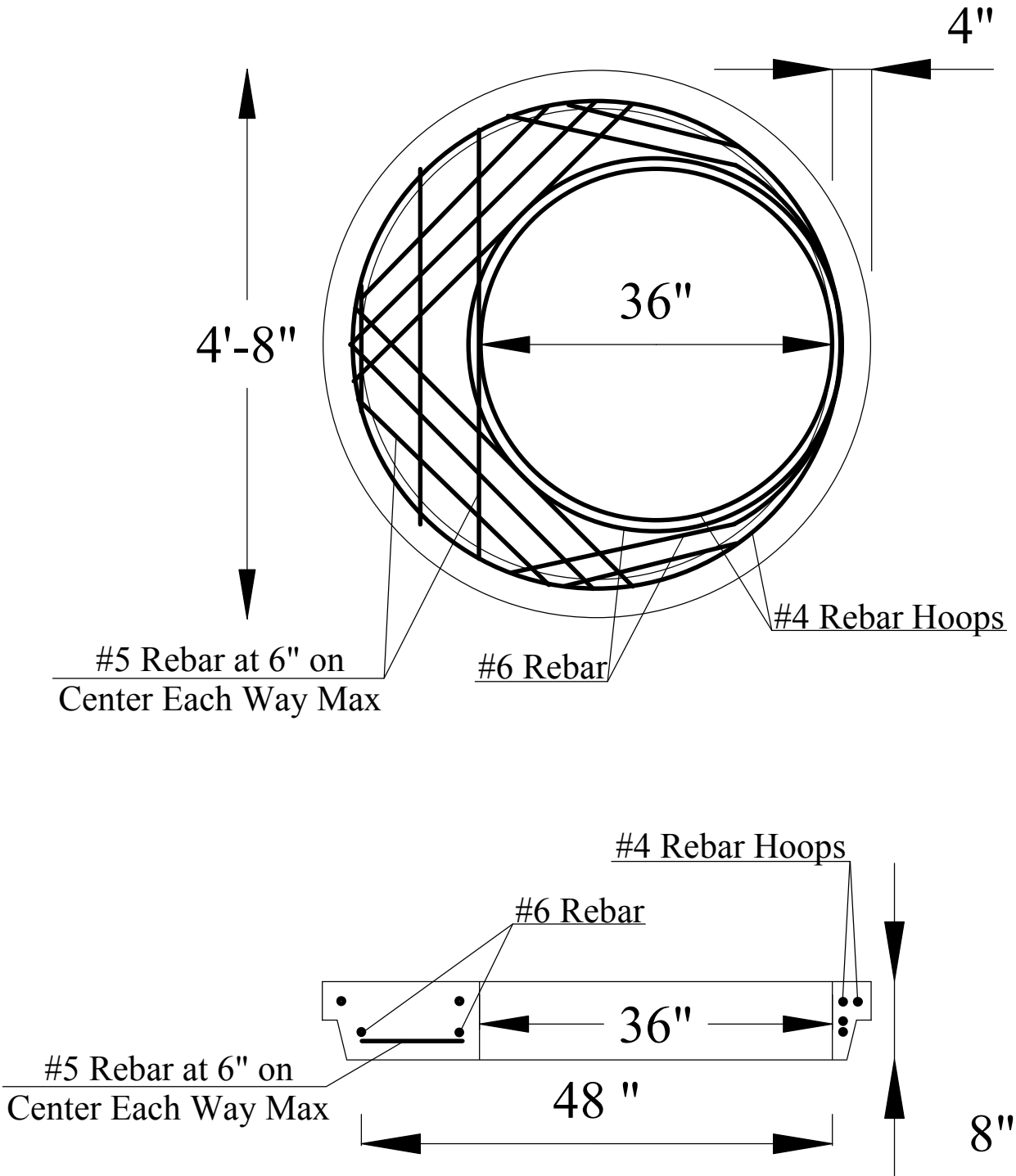


D&S Concrete Inc.

2140 E. 84th Ct. Anch. Ak. 99507

Phone (907) 349-6031 Fax (900 349-4597



48" to 36" Flat Lid

All Structure Design Conforms to or Exceeds A.S.T.M Designation C-478-07.