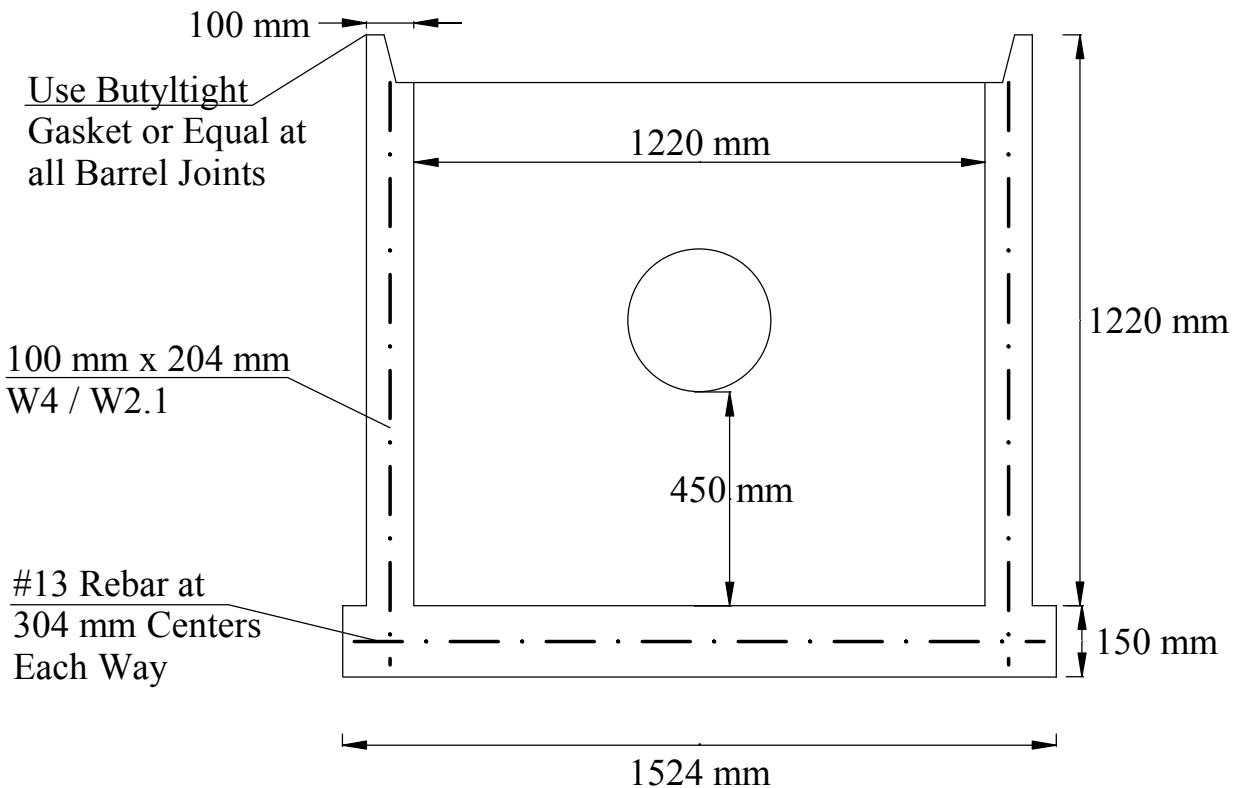
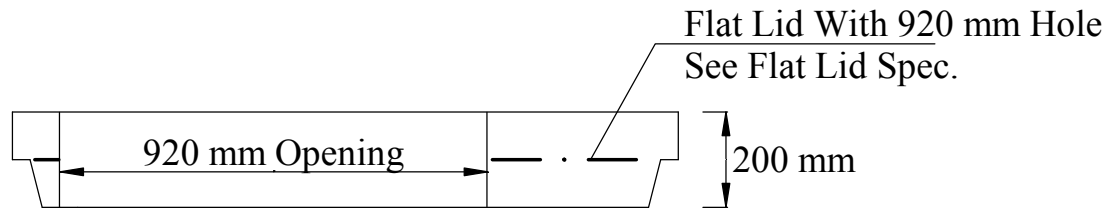
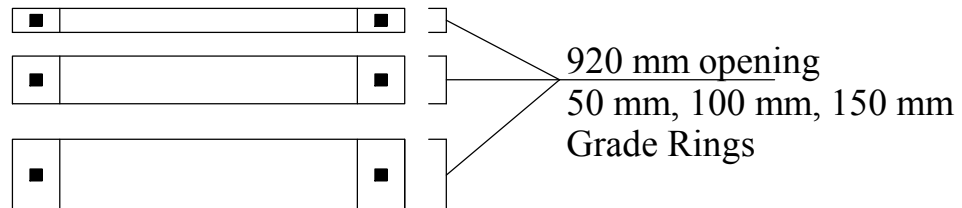


D&S Concrete Inc.

2140 E. 84 Ct. Anch. Ak. 99507
Phone (907) 349-6031 (907) 349-4597



Catch Basin (1220 mm Dia.)

All Structure Design Criteria Conforms to or Exceeds A.S.T.M Designation C-478-07.