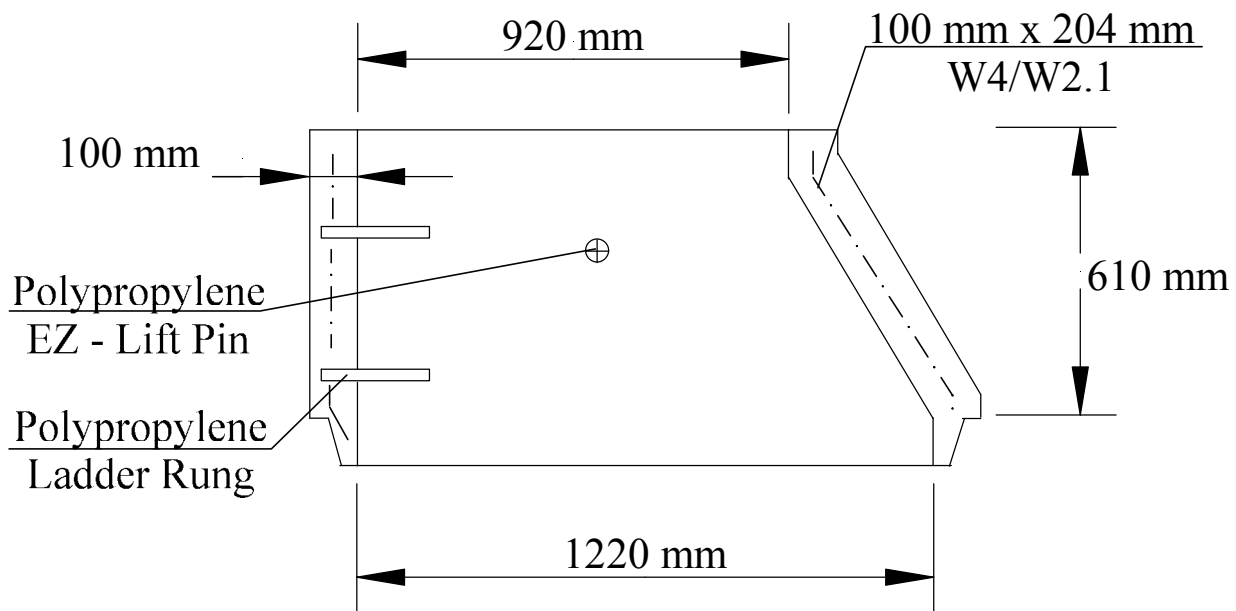


D&S Concrete Inc.

2140 E. 84th Ct. Anch. Ak. 99507

Phone (907) 349-6031 Fax (907) 349-4597



1220 mm to 920 mm Cone

All Structure Design Criteria Comforms to or Exceeds A.S.T.M. Designation C-478-07.